

PPK –Paradise Pools America

RECTANGLE POOL ASSEMBLY GUIDE

Prep Tips:

- It is recommended to have an additional 18” of space on each side of your pool.
For example: a 9’x17’(2.7mx5.2m) pool should have a space of at least 12’x20’(3.7m x6.2m)
- It is important that your pool is set on a ground surface no more than 3” out of level.
- Make sure that all debris has been cleared from the spot where you will set up your pool.

Setting Up Your Pool:

Step 1): Remove the liner from the carton marked **“LINER”**, and place it in the center of the spot where you plan to set up your pool. Be careful not to damage the liner when opening the box.

Step 2): Unfold the liner. Note where the pump and filter system will be connected. Position the two circular openings marked **“SUCTION”** and **“RETURN”** for easy connection to the pump and filter unit.

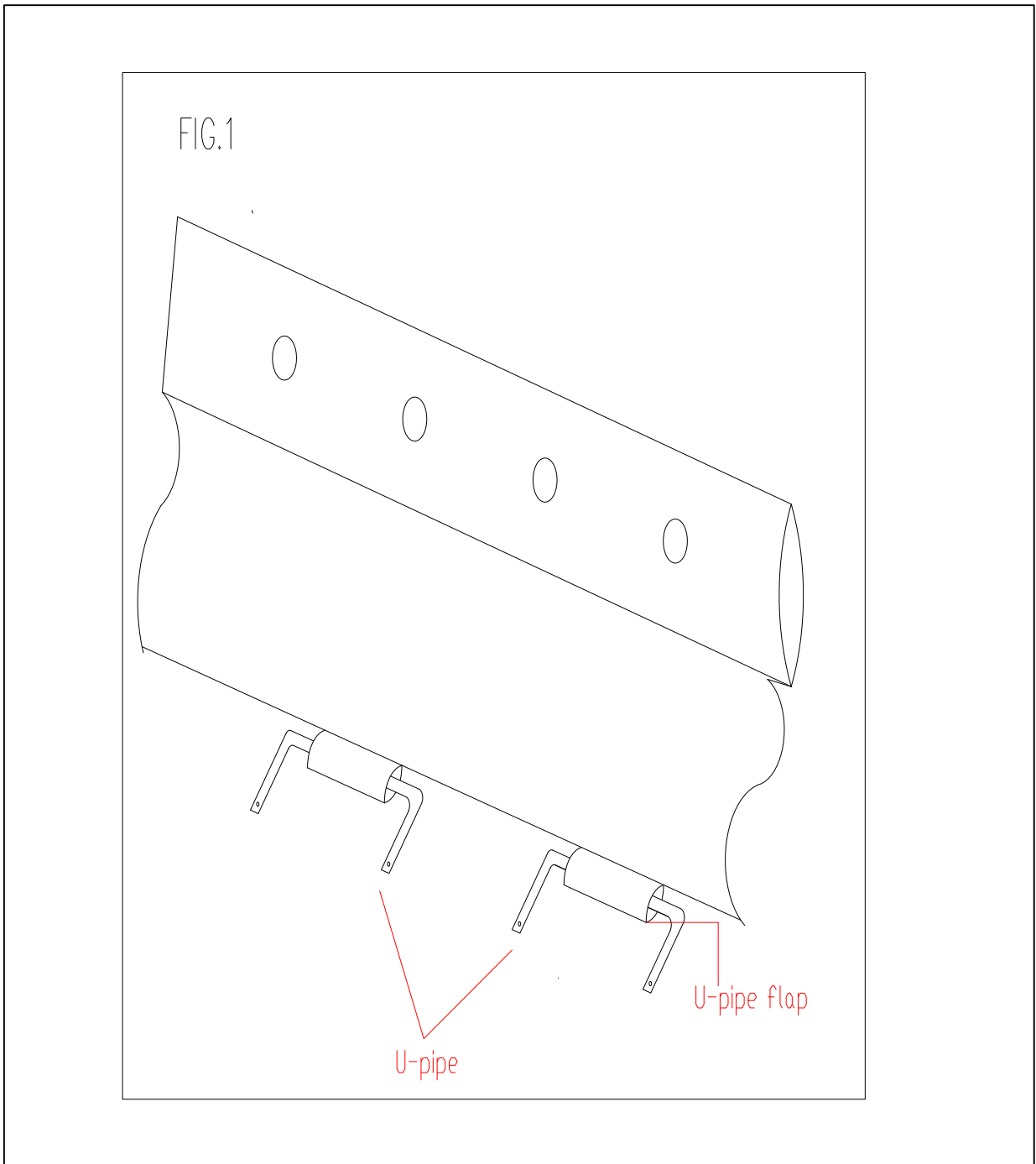
Step 3): Make sure the U-Pipe flaps that are welded on the bottom of the liner, are pulled out from underneath the pool, so they are exposed around the perimeter of the pool.

Step 4): Remove the framework from the cartons marked **“FRAMEWORK”** and separate into four groups:

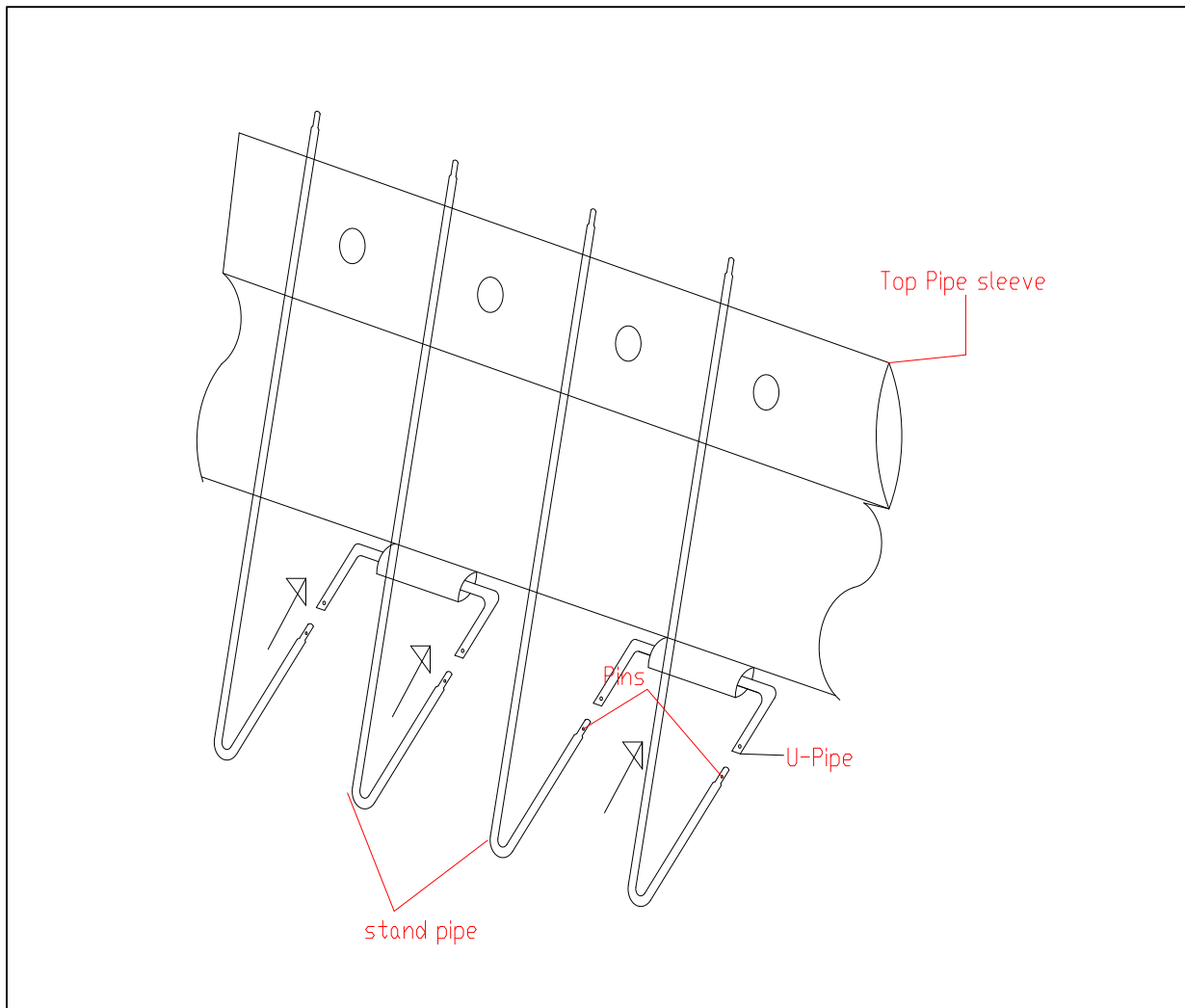
- Top rails (larger diameter straight pipe)
- Top corner rails (larger diameter, 90 degrees, 4 pieces)
- Vertical Poles (smaller diameter, straight pipe)
- U-Pipes (smaller diameter, with 90 degree bends at both ends of pipe)
- Please refer to the **“PARTS LIST AND SPECS”** page to check that all parts are accounted for.

DO NOT JUMP OR DIVE INTO A PPK POOL

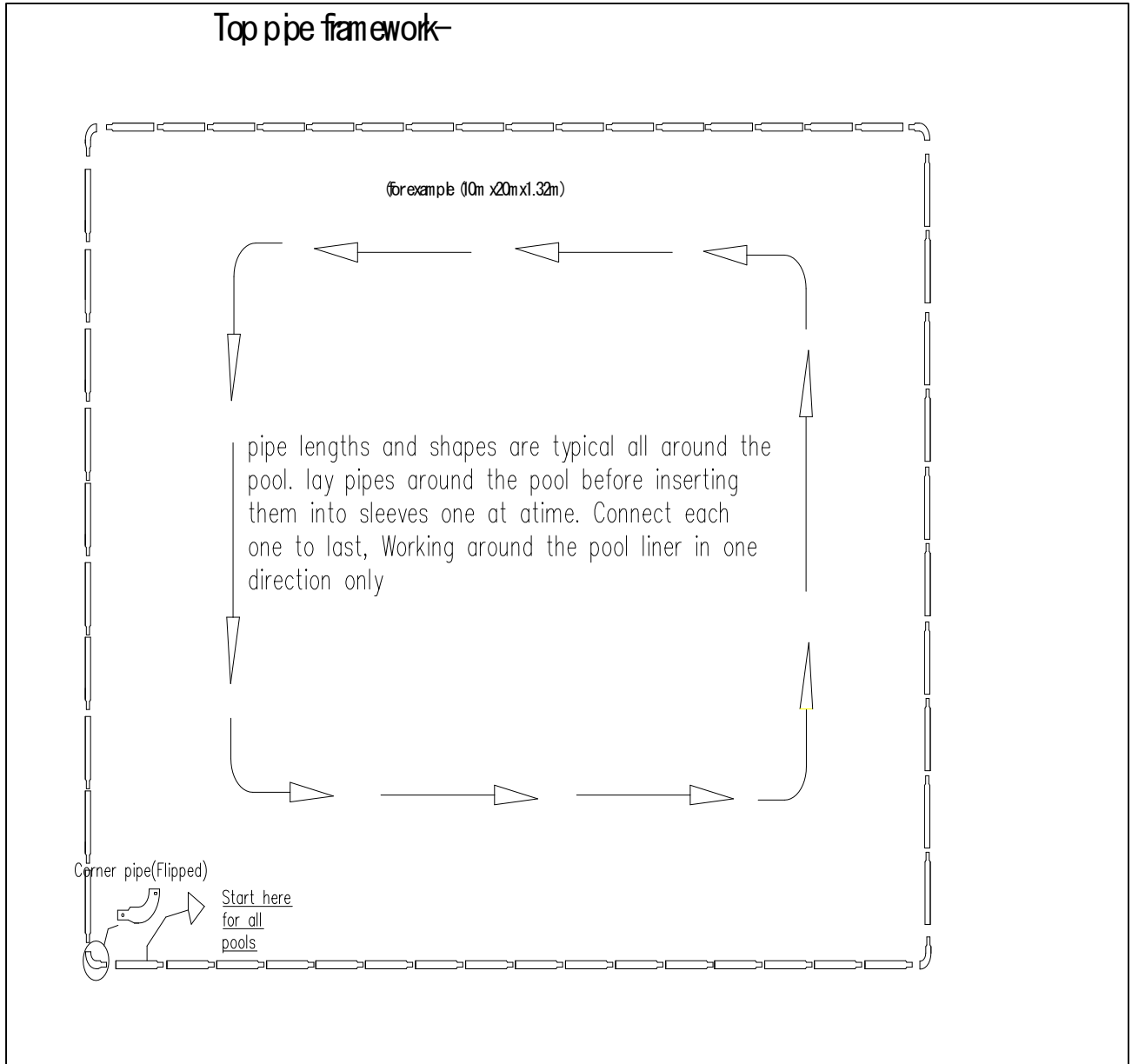
Step 5): Installing U-Pipes: Slip the U-Pipes through the U-Pipe Flaps located around the base perimeter of the pool. Center the U-Pipes on the flap with the U facing away from the liner and pull the flap outward. **(Figure 1)**



Step 6): Installing Vertical Poles: Place two vertical poles next to each U-Pipe. Next connect one vertical pole to either end of each U-Pipe as shown. Be sure that all pins snap into place



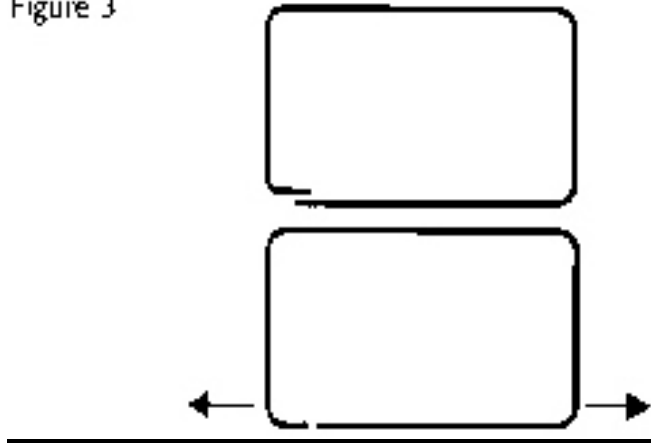
Step 7): Installing the Top Rails: It is recommended to independently layout the Top Rails along the perimeter of the pool (including the Top-Corner Rails). This will help with the location of each Top Rail in relationship to the liner. (Figure 2) At each corner of the pool, the liner is opened to insert the Top Rails. It is recommended to connect the Top Rails (straight pieces only) for each side (2 long and 2 short) and insert through the liner opening as one piece. Make sure all pins and holes are facing downward before inserting each section of Top Rail through the liner opening. Also check to see that the holes on the bottom of the Top-Rail line up with the cutouts of the liner. These are where the Vertical Poles will be set into the Top-Rails.



DO NOT JUMP OR DIVE INTO A PPK POOL

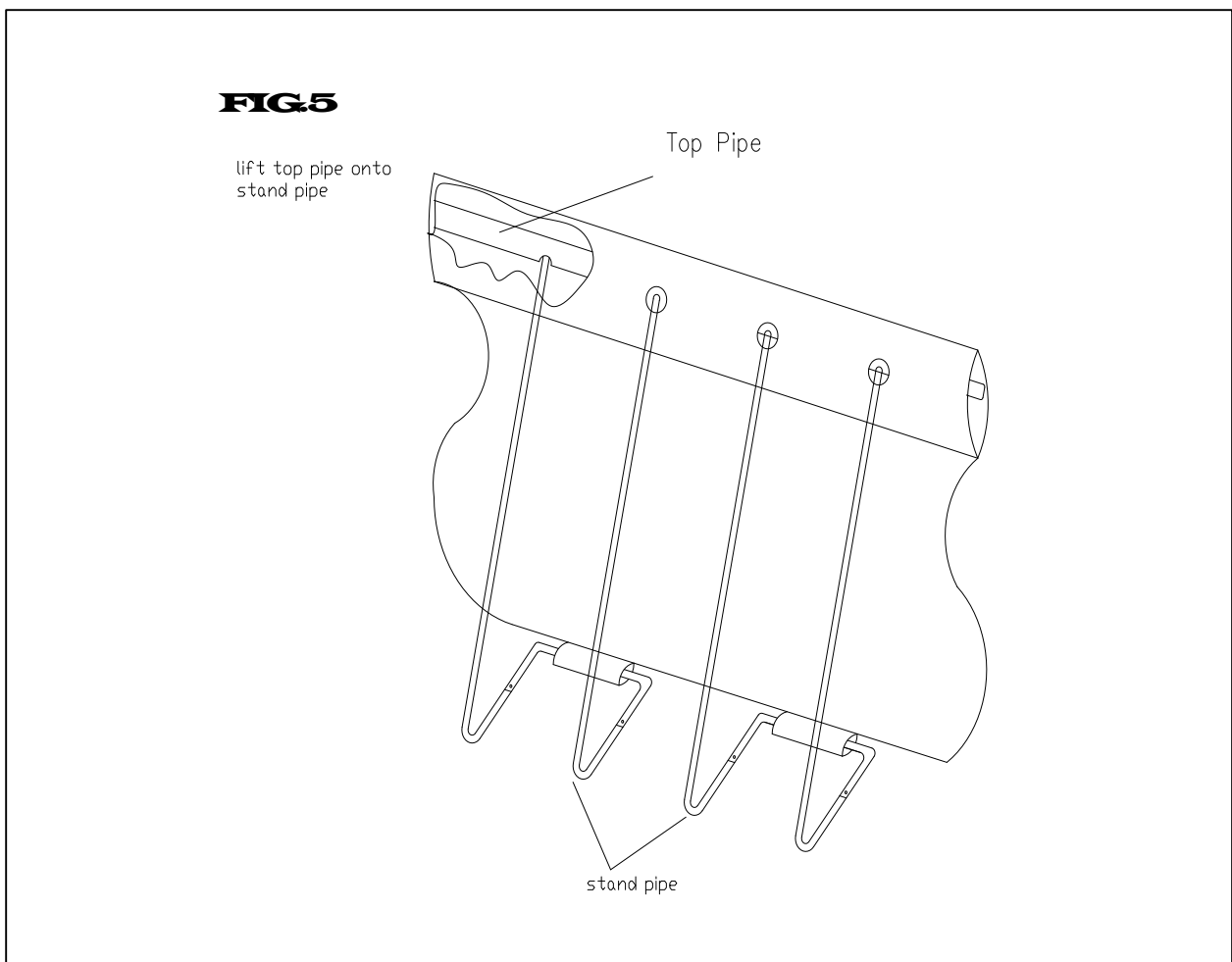
Step 8): Connecting the Top-Corner-Rails: Starting in any corner, connect two Top-Rail sections (one long, one short) with one Top-Corner-Rail. Repeat this process for each corner. To make the last connection of the fourth Top-Corner-Rail easier, have one person at the end of the last Top-Corner-Rail to be connected, and pull away from the final corner to be connected. Also, it is easier to pull on one of the long sides of the Top-Rail rather than a short section, when setting the final Top-Corner-Rail. **(Figure 3)**

Figure 3



Step 9): Setting the Vertical Poles into the Top-Rail: (Mount top frame to stand pipes)

With all top frame connections complete, get the help of one or more people to lift each side and lower the top pipe holes (under the top pipes) over each stand pipes



It's best to start at one end work around the pool's perimeter. When finished, Go back and check that each stand pipe is fully seated in a top pipe hole, And that the pool liner is not pinched by the stand pipes

Step 10): Install stand pipes bases(shoe)

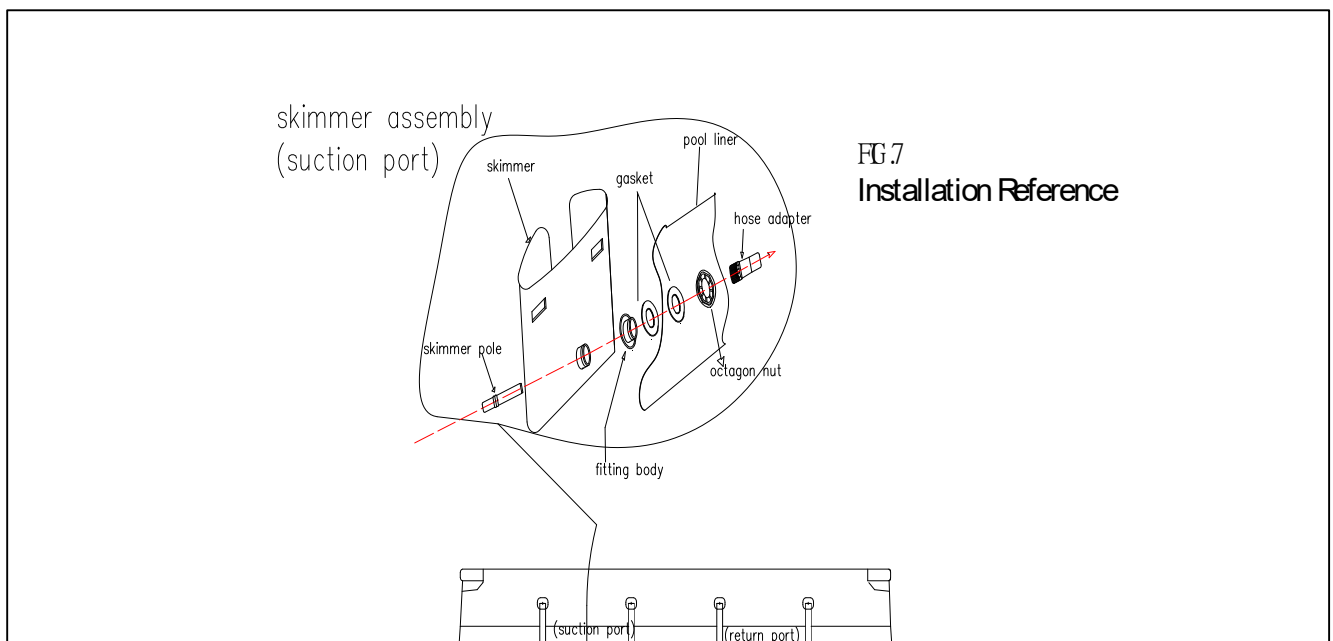
Before you fill the pool, you must make any final adjustments to the pool's orientation or ground sheet, and install the stand pipe bases(shoe) under each stand pipe.

Position a stand pipe base-bottom (shoe) UNDER EACH STAND PIPE. Being sure that its guide rails are engaged, slide a stand pipe base-top over each stand pipe, Capturing the stand pipe between the base halves.



DO NOT JUMP OR DIVE INTO A PPK POOL

Step 11): Connecting The Skimmer: Make sure to connect the skimmer before filling your pool with water. Your pool will have two plumbing holes marked **“SUCTION”** and **“RETURN”**. After the wall fittings have been attached to the pool, (wall fittings will be supplied with the Pump and Filter System) the skimmer which has external threads, will screw into the internal threads of the wall fitting in the corner marked **“SUCTION”**. Be sure to attach the skimmer on the inside of the pool. Then place the mesh basket inside the skimmer housing. Finally, secure the skimmer in place, by using the two skimmer straps provided.



Sep 12): START-UP

Follow your filter and pump's start-up instructions. Check all fittings and hose connections for leakage. Tighten clamps and/or fittings as required to stop any leaks.

Step 13); MAINTENANCE

Preventative maintenance will provide continued smooth operation of your pool and filter system extending its life for many years. Many potential problems can be avoided by routinely inspecting the pool. Filter, pump, and accessories. Keep moving parts lubricated and maintain a clean tidy environment around the pool.

Step 14): VACUUMING

Regular vacuuming helps to maintain clean pool water and is an important factor in maintaining proper water chemistry. Vacuum performance will be poor when vacuuming with a dirty filter. Clean your filter prior to vacuuming if return water flow is low. To connect the vacuum hose, stop pump and lift out the skimmer basket and set it aside. Insert the VACUUM TUBE into the skimmer port as shown above image. Rotate the tube to allow key tabs to pass through skimmer port slots and continue rotating to lock into place.

NOTE: If using 1-1/4" diameter hose. Insert the VACUUM ADAPTOR into the VACUUMTUBE prior to installing the vacuum hose.

To expel trapped air in the vacuum hose (not provided), turn pump on and hold one end of the hose over the return port. After air is expelled, turn pump off and install the hose end over the vacuum tube. To vacuum, follow the operating instructions provided with the vacuum and filter units. Stop pump when finished vacuuming. Remove the vacuum tube(s) and replace the skimmer basket prior to resuming filter operations.

Step 15): REPAIR

LINER REPAIR

A patch kit is provided with your pool. To repair a hole in your pool, select the matching material and cut a round, adequately-sized patch. Coat one entire side of the patch with the glue provided. The patch must be applied from inside the pool (under water if necessary). Press the patch firmly into place, working any excess glue outward from the patch's center to its edges.

\

Step 16): CLEANING

Clean the pool's vinyl and metal parts with a mild detergent and water. If stronger cleaning action is required, there are vinyl cleaners available at your local pool store. **CAUTION: DO NOT USE ANY SOLVENTS OR ABRASIVE CLEANERS TO CLEAN YOUR POOL.**

Step 17): WATER CHEMISTRY

To assure proper water quality, water chemistry must be maintained in a manner consistent with that of any other vinyl liner pool. Pool installations experience a variety of environmental conditions and levels of usage. Because of these differences, your pool may require a chemical treatment program that is designed for your specific conditions.

CONSULT YOUR LOCAL POOL DEALER REGARDING THE BEST CHEMICAL PROGRAM FOR YOUR POOL

Step 18): WINTERIZING YOUR POOL

To avoid possible damage to your pool, filter and pump, you must winterize your pool and filtration system. For instructions on winterizing and storing your filter, pump, and other accessories, consult those separate owners guides. To winterize your pool, follow the instructions below.

- Drain the pool to six inches below the return fitting.

See pool draining below.

- Remove the skimmer from the pool, clean and store.
- Remove the return fitting cover and eyeball.
- Drain and store the filter and pump following the winterizing procedures found in those separate instructions.

IMPORTANT: Your pool's liner and frame components could be severely damaged by ice formed in the pool which is not supported by a stable water level. Small punctures or cuts in the pool liner can lower the water level under the ice over a period of several months, causing the weight any ice present to shift onto the frame components and the pool liner.

Step 19): POOL DRAINING, DISASSEMBLY & STORAGE

- Disconnect the electricity for all accessories (filter/pump, etc.) at their source by unplugging all power cords.
- Connect a drain hose to the filter's waste port.
- Operate the pump until water is lowered to the bottom of skimmer opening only. **Caution:** Do not operate the pump without water flowing through it. Damage to pump seals could occur.

CAUTION: Because pool water contains chemicals that may harm certain plants and vegetation, you should route the drain hose to an area that will be safe for vegetation and that can safely receive several thousand gallons of water. There may be restrictions in your locality regarding the disposal of pool water. Always follow all local codes and ordinances when draining your pool.

- Disconnect the skimmer hose from the skimmer and lower the hose end to the pool bottom by tying a weight on the hose end to hold it down. Operate pump to completely drain the pool.
- Remove all hoses from the pool's fittings.
Remove the skimmer.

Note: it is not necessary to completely disassemble the skimmer and return fittings.

- To disassemble the pool's framework, reverse the assembly process.
- To remove any remaining water, lift the liner as required to move water to a liner port or over a nearby liner edge.
- Air-dry the pool completely, or use towels to thoroughly dry it. Store it indoors in a cool dry place.

FINAL TIPS:

- Make sure to fill your pool with water shortly after setting it up. Never leave your pool up without water in it.
- Make sure all plumbing is connected securely before filling your pool with water.
- As the pool is filling with water, (until there is about 12” of water) walk around the pool and pull the U-Pipes at the base of the pool, out away from the pool, making sure the U-Pipe straps are taut.
- Make sure there is ample water (at least half of the skimmer basket is under water) and the valves are open before plugging in the Pump and Filter System.
- Make sure the ladder or Entry / Exit system is securely fastened to the side and bottom of the pool.
- Always refer to your local Authorized Pool Dealer for chemical use and maintenance.

PARTS LIST AND SPECS.

<u>SIZE</u>	<u>TOP-RAILS / VERTICAL POLES</u>	<u>U-PIPES</u>	<u>CORNERS</u>	
<u>9 x17</u>	12	24	12	4

(2.7mx5.2m) <u>13x21</u>	16	32	16	4
(4mx6.5m) <u>13x25</u>	18	36	18	4
(4mx7.6m) <u>17x29</u>	22	44	22	4
(5.2mx8.8m) <u>21x33</u>	26	52	26	4
(6.4mx10m)				

WATER CAPACITY

<u>SIZE</u>	<u>GALLONS</u>
<u>9 X17</u>	<u>5,000</u>
<u>13X21</u>	<u>9,000</u>
<u>13X25</u>	<u>11,200</u>
<u>17X29</u>	<u>15,200</u>
<u>21X33</u>	<u>20,000</u>

DO NOT JUMP OR DIVE INTO a PPK POOL